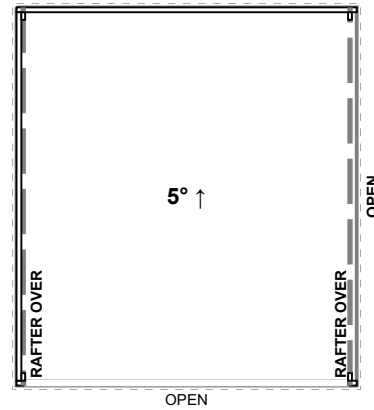


4500



5000

114 4272 114

4500

FLOORPLAN
SCALE 1:100



VIEW LEGEND

REFER TO CONSTRUCTION DRAWING FOR SLAB/FOOTING LAYOUT

All Sheds
29 Drummond Road
Shepparton, 3630
P: 5822 2133
F: 5821 7772



client: Peter Allan
project: Proposed Carport: Enduro
58 Elizabeth Street
Nathalia, VIC, 3638

Drawing Name: Floor Plan

Project Number: ASFS - 16937B - 2

Drawing Number:

Rev:

Drawn:

Date: 19/02/2024

Copyright © 2019 by A-Line Building Systems Pty Ltd.
The concepts and information contained in this document are the intellectual property of A-Line Building Systems Pty Ltd. Use or copying of the document in whole or in part without written permission of A-Line Building Systems Pty Ltd constitutes an infringement of copyright

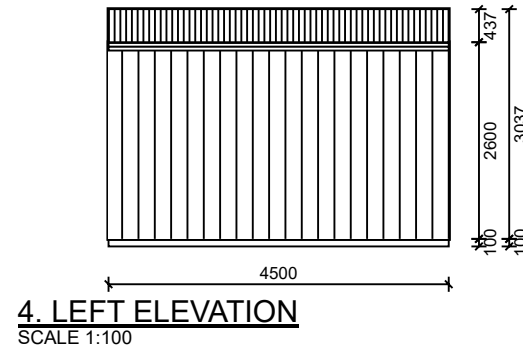
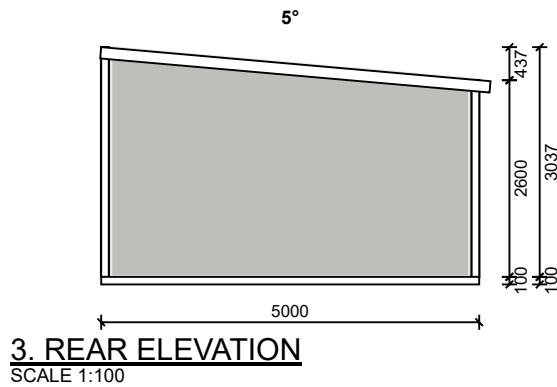
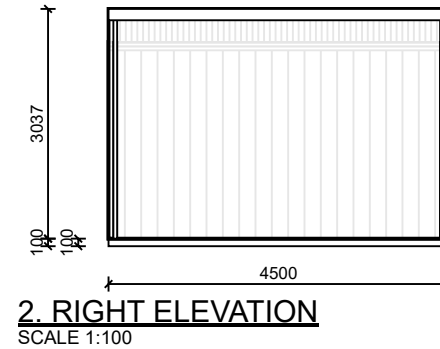
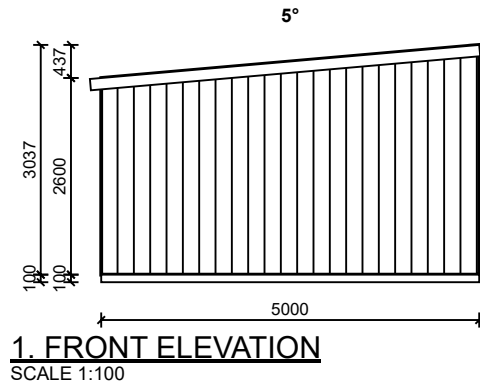
All Dimensions In Millimetres U.N.O.

Sheet Size



Scale: 1:100

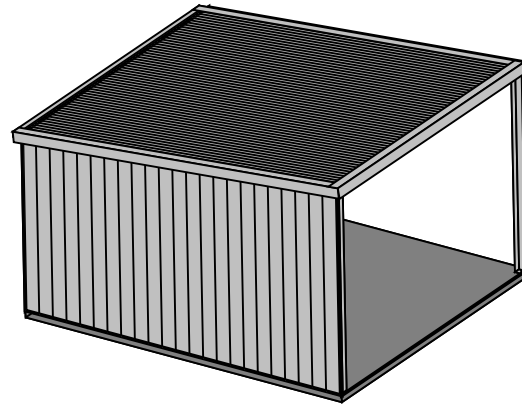
Sheet: 4.5Lx5Wx2.6H|5°|1bays

A4



REFER TO CONSTRUCTION DRAWING FOR SLAB/FOOTING LAYOUT



All Sheds 29 Drummond Road Shepparton, 3630 P: 5822 2133 F: 5821 7772	 	client Peter Allan
		project Proposed Carport: Enduro 58 Elizabeth Street Nathalia, VIC, 3638
Copyright © 2019 by A-Line Building Systems Pty Ltd. The concepts and information contained in this document are the intellectual property of A-Line Building Systems Pty Ltd. Use or copying of the document in whole or in part without written permission of A-Line Building Systems Pty Ltd constitutes an infringement of copyright		Drawing Name: Elevations Project Number: ASFS - 16937B - 2 Drawing Number: _____ Date: 19/02/2024 Rev: _____
Scale: 1:100 Sheet Size: A4		Sheet Size: 4.5Lx5Wx2.6H 5° 1bays

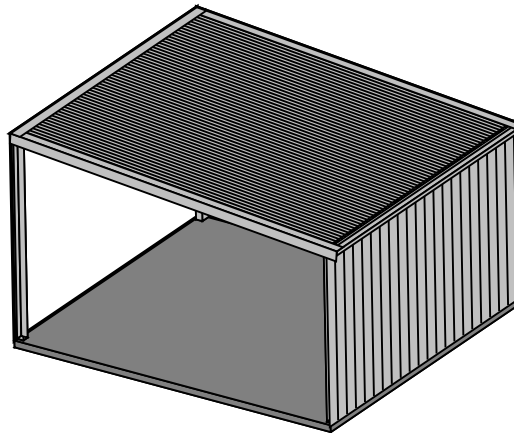


FRONT RIGHT ELEVATION
SCALE 1:100

- ZINCALUME 0.47 TCT CORRUGATED ROOF CLADDING
- ZINCALUME GARAGE BARGE FLASHING
- ZINCALUME QUAD 115 EAVE GUTTER
- WHITE UPVC 90D DOWNPIPE
- ZINCALUME 0.47 TCT KPANEL WALL CLADDING
- ZINCALUME CORNER FLASHING

REFER TO CONSTRUCTION DRAWING FOR SLAB/FOOTING LAYOUT



All Sheds 29 Drummond Road Shepparton, 3630 P: 5822 2133 F: 5821 7772	 	client	Peter Allan		
		project	Proposed Carport: Enduro 58 Elizabeth Street Nathalia, VIC, 3638		
Copyright © 2019 by A-Line Building Systems Pty Ltd. The concepts and information contained in this document are the intellectual property of A-Line Building Systems Pty Ltd. Use or copying of the document in whole or in part without written permission of A-Line Building Systems Pty Ltd constitutes an infringement of copyright		Drawing Name:	ISO		
		Project Number:	ASFS - 16937B - 2	Drawing Number:	
		Drawn:		Date:	19/02/2024
		Scale: 1:100		Sheet Size	A4
		All Dimensions In Millimetres U.N.O.		Sheet: 4.5Lx5Wx2.6H 5" 1bays	



REAR LEFT ELEVATION
SCALE 1:100

- ZINCALUME 0.47 TCT CORRUGATED ROOF CLADDING
- ZINCALUME GARAGE BARGE FLASHING
- ZINCALUME QUAD 115 EAVE GUTTER
- WHITE UPVC 90D DOWNPIPE
- ZINCALUME 0.47 TCT KPANEL WALL CLADDING
- ZINCALUME CORNER FLASHING

REFER TO CONSTRUCTION DRAWING FOR SLAB/FOOTING LAYOUT

<p>All Sheds 29 Drummond Road Shepparton, 3630 P: 5822 2133 F: 5821 7772</p>	 	<p>client: Peter Allan project: Proposed Carport: Enduro 58 Elizabeth Street Nathalia, VIC, 3638</p>
<p>Copyright © 2019 by A-Line Building Systems Pty Ltd. The concepts and information contained in this document are the intellectual property of A-Line Building Systems Pty Ltd. Use or copying of the document in whole or in part without written permission of A-Line Building Systems Pty Ltd constitutes an infringement of copyright</p>		<p>Drawing Name: ISO Project Number: ASFS - 16937B - 2 Drawing Number: [blank] Date: 19/02/2024 Rev: [blank]</p>
<p>Scale: 1:100</p>		<p>Sheet Size: 4.5Lx5Wx2.6H 5" 1bays</p>
<p>All Dimensions In Millimetres U.N.O.</p>		<p>Sheet Size A4</p>